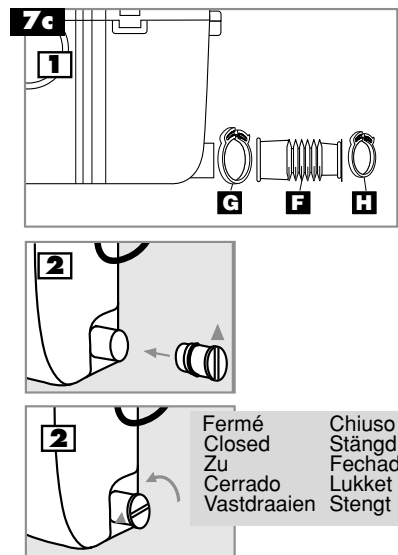
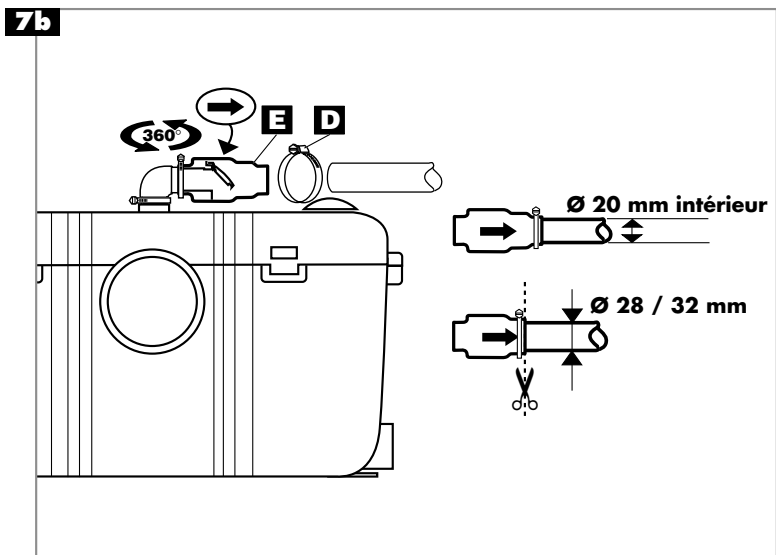
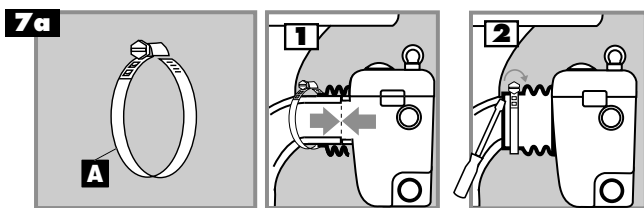
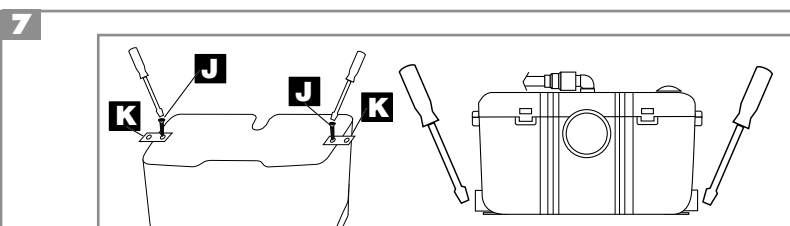
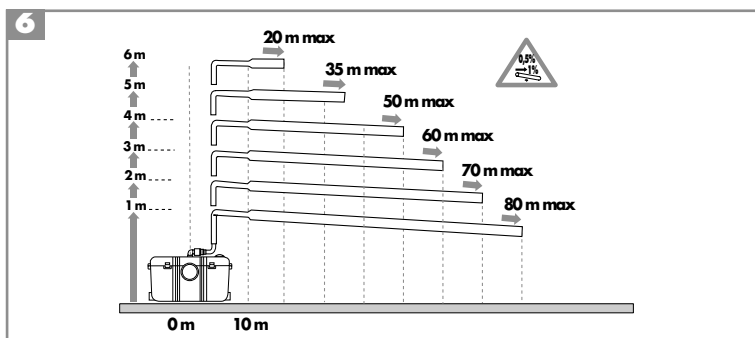
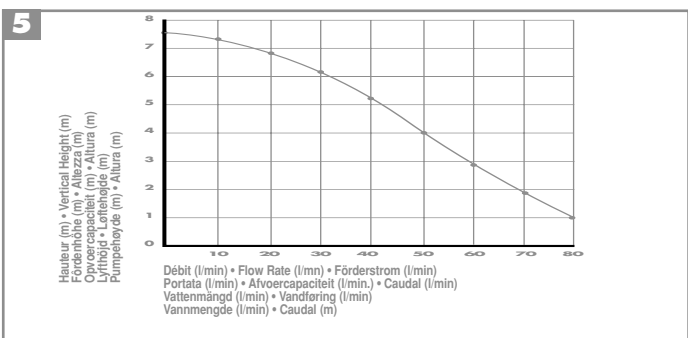
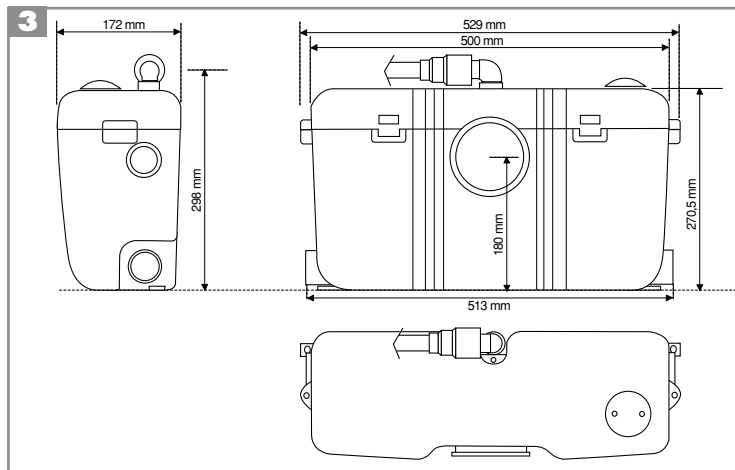
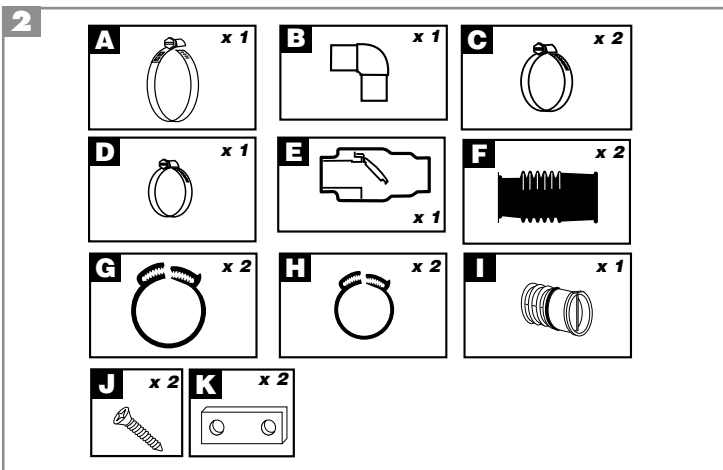
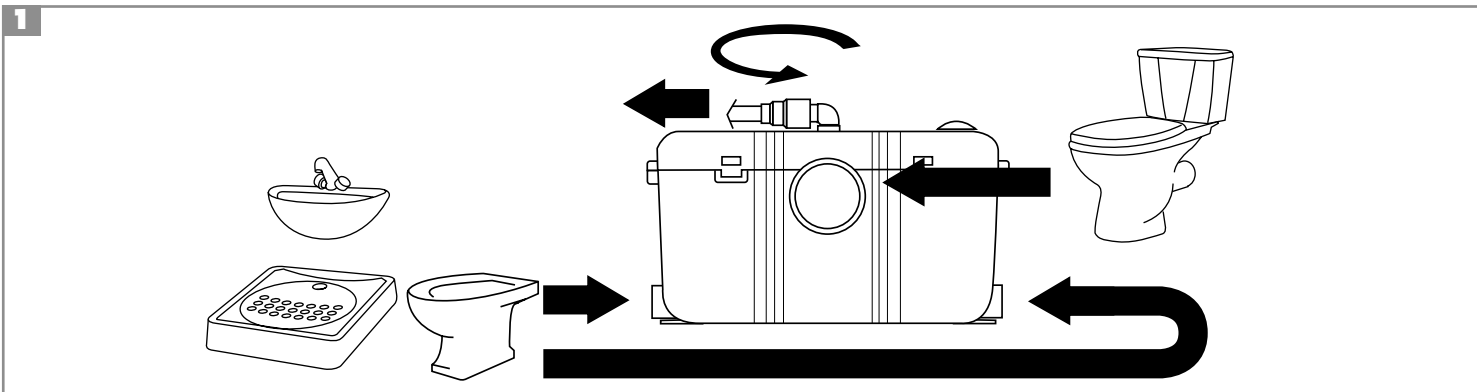




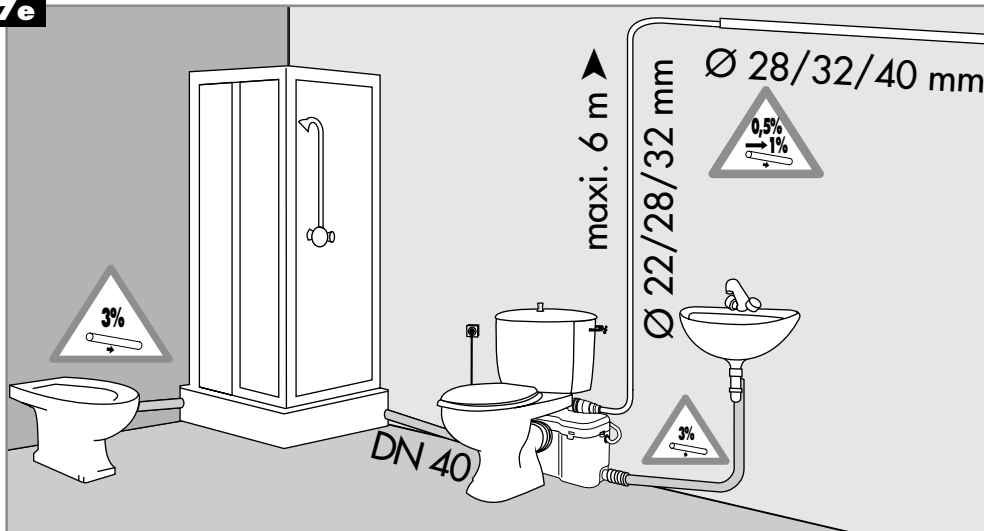
A lire attentivement et à conserver à titre d'information • The user should retain these instructions for future reference
 Bitte aufmerksam durchlesen und aufbewahren • A leer detenidamente y a conservar a título informativo
 Dit document goed doorlezen en bewaren • Da leggere attentamente e conservare a titolo d'informazione
 Läs igenom anvisningen noga och spara den. • Ler atentamente e guardar a título de informação
 Læs vejledningen nøje igennem og gem den til senere brug • Les anvisningen nøye og oppbevar den til senere bruk



NOTICE D'INSTALLATION • INSTALLATION INSTRUCTIONS • INSTALLATIONSHINWEISE
 MANUAL DE INSTALACIÓN • INSTALLATIE VOORSCHRIFTEN • ISTRUZIONI PER L'INSTALLAZIONE
 INSTALLATIONS- OCH SKÖTSELANVISNING • MANUAL DE INSTALAÇÃO
 INSTALLATIONSVEJLEDNING • INSTALLASJONSANVISNING



7e

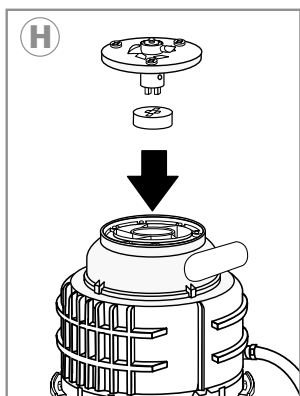
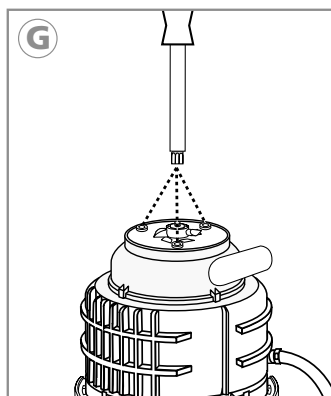
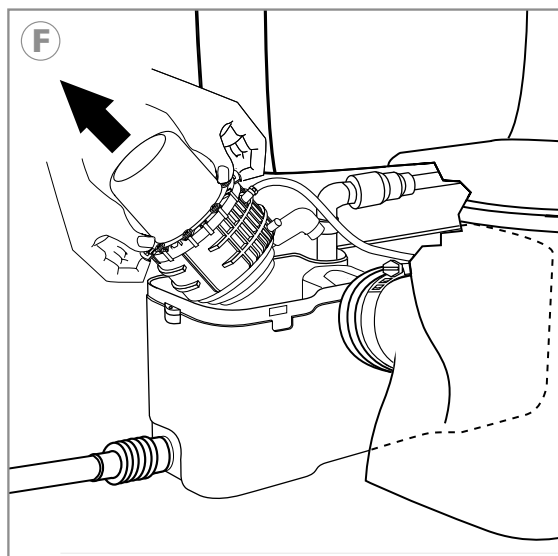
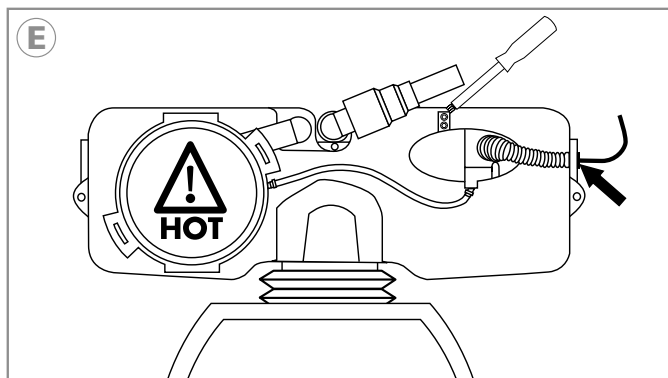
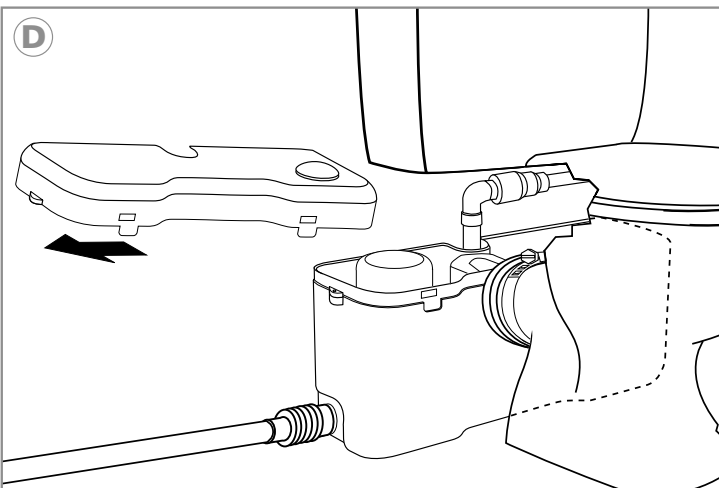
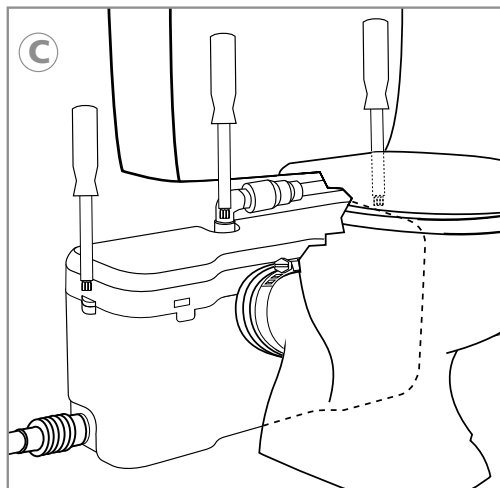


8

SANIBEST® 2
 Société Française d'Assainissement
EN 12050-3/02
LA05-B80
220-240 V - 50 Hz - 620 W - IP44



13





Sanibest is a high performance pump/macerator for normal WC waste, toilet paper and waste water in accordance with the relevant regulations. Equipped with a new high performance motor, Sanibest is suitable for heavy usage situations and will handle water for short periods at 90 degrees c.

1 AVERTISSEMENT

The **SANIBEST®** pump/macerator has been designed to pump away the waste from a WC, a washbasin, a bidet, a shower or a bath. **SANIBEST®** is a robust machine which is capable of handling occasional sanitary article accidentally flushed down the WC. Installed and used correctly, **SANIBEST®** will give consistent and reliable service.

Please note the following warning signs:

- "  " Possible danger to personnel,
- "  " Warning of possible electrical hazard,

"**WARNING**" This is a general warning that failure to follow instructions could result in poor functioning of the unit.

2 LIST OF ACCESSORIES INCLUDED

3 DIMENSIONS

4 TECHNICAL DATA

Application	1 WC + + shower + bidet + washbasin
Type	LA05-B80
Maximum Vertical Pumping	6 m
Voltage	220-240 V
Frequency	50 Hz
Normal Power Rating	670 W
Maximum current consumption	3,1 A
Electric Class	I
Degree of protection	IP44
Net Weight	9,5 kg

WARNING: Only installations conforming to the above specifications are acceptable.

5 PERFORMANCE CURVE

6 VERTICAL/HORIZONTAL PUMPING COMBINATIONS

7 INSTALLATION

WARNING: In conformity with EN33 or EN 37 norms. The access to the apparatus must be facilitated for control and maintenance. The crusher has fastenings preventing it turning or from floating.

7a CONNECTION TO A WC

- 1** - Pull flexible sleeve over the pan spigot
- 2** - Position the jubilee clip over the edge of the flexible sleeve, and tighten with a screwdriver

7b CONNECTION OF THE DISCHARGE PIPEWORK

Insert the elbow **B** into the exit pipe from the unit, and turn it to the direction required.

Connect the 22mm pipework (solvent weld rigid plastic or copper) directly onto the non-return valve assembly. For 32mm pipework, cut back the end of the non-return valve fitting.

Secure both ends of the non-return valve with clips **C** and **D**.

- All horizontal piperuns require a 1:200 fall.
- If a vertical lift is required, this must be installed at the start of piperun and a 1:200 fall given to the pipe from the high point to the drain.
- All bends should be smooth/slow. Do not use 90° elbows.
- If the horizontal piperun exceeds about 10 metres, increase the size from 22 mm to 32 mm from that point onwards.
- **Note :** To avoid siphoning, install a vacuum breaker (Nicoll or similar type) at the high point of the installation.

7c CONNECTION OF THE OTHER SANITARY APPLIANCES

- 1** - To connect to the side entries of the case, use the rubber connector **F**. Secure with plastic clips **G** and **H**.
- 2** - Plug the unused inlet with blanking plug **I** after greasing the joint.

WARNING: Ensure when connecting a shower to **SANIBEST®** that the underside of the shower tray is raised by at least 15cm from the floor.

7d VENTING

SANIBEST® is fitted with an active carbon filter, and requires no external venting.

7e EXAMPLE OF SANIBEST® INSTALLATION

7f ELECTRICAL CONNECTION



The electrical installation should be carried by a qualified person and conform to BS 7671 1992 requirements for electrical installation.

- **SANIBEST®** requires a 220/240V single phase 50 Hz supply (UK specification) and should be connected to an unswitched fused wiring connector protected by a 5 amp fuse, or circuit breaker set to 30mA.
- The unit should be sited at least 60 cm away from any shower tray.

8 NORM

- **SANIBEST® 2** conforms to EN 12050-3. Lifting plant for wastewater containing faecal matter for limited applications.

9 COMMISSIONING THE UNIT

Once electrical and plumbing connections have been made, flush the WC once. The motor should run from 10 to 30 seconds to clear the waste (depending on the length and height of the pipe run). If it runs for more than 35 seconds, check that the pipework is clear, and that the discharge hose is not kinked, or that the non-return valve is correctly installed.

Flush the WC checking that all seals, and connections are watertight. Check both the discharge pipework from the unit, and the waste pipes from washbasin or shower.

WARNING: There should be no dripping of water from the WC cistern or taps. If there is, this will cause the unit to activate repeatedly as it pumps the water away.

10 USAGE

A WC fitted with a **SANIBEST®** pump/macerator does not require any special maintenance. The **SANIBEST®** will operate automatically as soon as the required level of water enters the case.

WARNING: The water authorities strongly discourage the disposal of sanitary items such as condoms, tampons and sanitary pads via a WC. Nowever, should such items be flushed down a WC attached to **SANIBEST®**, the unit is able to accept these items without blocking. **Damage will occur to the SANIBEST® if hard objects (eg metal, wood etc) are flushed via the WC, or aggressive chemicals such as acids, caustics, solvents etc.**

11 CARE OF YOUR SANIBEST® UNIT

- Normal household bleaches/WC cleansers can be used with a **SANIBEST®**
- To avoid the build up of limescale in the unit, use the following procedure.
 - disconnect the power supply to the unit,
 - pour 3 or 4 litres of water mixed with a strong solution of descalent/spirit of salts into the WC pan,
 - leave it to stand for 1 or 2 hours, then re-connect the electric supply,
 - flush several times to clear.

The frequency of this operation will depend on the hardness of the water in your locality. We would recommend this be done about twice a year.

12 FAULT FINDING/REMEDIES

For the most part any inconsistencies in the operation of the unit will be minor and easily rectified. Please refer to the chart below. If the problem cannot be easily remedied in this way. Please call our Service organisation.



Warning - Always disconnect the electricity supply before attempting any work on the SANIBEST®

SYMPTOM	PROBABLES CAUSES	REMEDIES
• The motor intermittently activates	• The WC cistern or taps are dripping • The external non-return valve 1 is faulty	• Check the appropriate washers / seals on the cistern / taps etc • Clean or replace the non-return valve 1
• The water in the WC pan goes down very slowly	• The air opening 25 of the unit is blocked	• Replace the carbon filters 26
• The motor operates normally, but continues to run for a long time	• The length or height of the installation is over the specification, or there are too many bends/elbows • The unit is blocked • The discharge pipe 7 is kinked	• Check the installation • Disconnect, remove and unblock / replace the blade assembly • Check the installation
• The motor does not activate	• The electrical supply is not active • Problem with motor or electrical chamber	• Restore the electrical supply • Call a service engineer to inspect the motor
• The motor hums, but does not run	• The capacitor 38 or motor is defective	• Call a service engineer to inspect the motor

13 REMOVAL

Any replacement of the power supply cable should only be carried out by an authorised SANIFLO service engineer.

REMOVING THE UNIT

- **Disconnect the electricity supply**
- Turn off the water feed to the WC cistern. Bail out as much water from the cistern as possible.
Disconnect the inlet and WC connection, as well as electric supply and remove unit.

REMOVING THE MOTOR FROM THE CASE

- Unscrew the 3 lid screws (Torx T20).
- Lift off the lid freeing the end lugs.
- Unscrew the screw holding the oval shaped electrical chamber to the case.
- Lift out the motor.



The metallic dome on top of the motor may be hot so handle with care.

WARNING : Do not activate the motor when 'dry' for more than 5 seconds.

REMOVAL OF BLADES

- Unscrew the 3 blade screws.
- Repair or exchange the blade assembly.

RE-ASSEMBLY OF THE BLADES

- Before re-assembly, ensure that the drive coupling 4 is well pressed into the base of the pump 11.
- When refitting the motor to the case, ensure that the end of the elbow 8 is well seated into the case.

NOTE: For easy replacement of the lid, lubricate the lid seal with liquid soap.

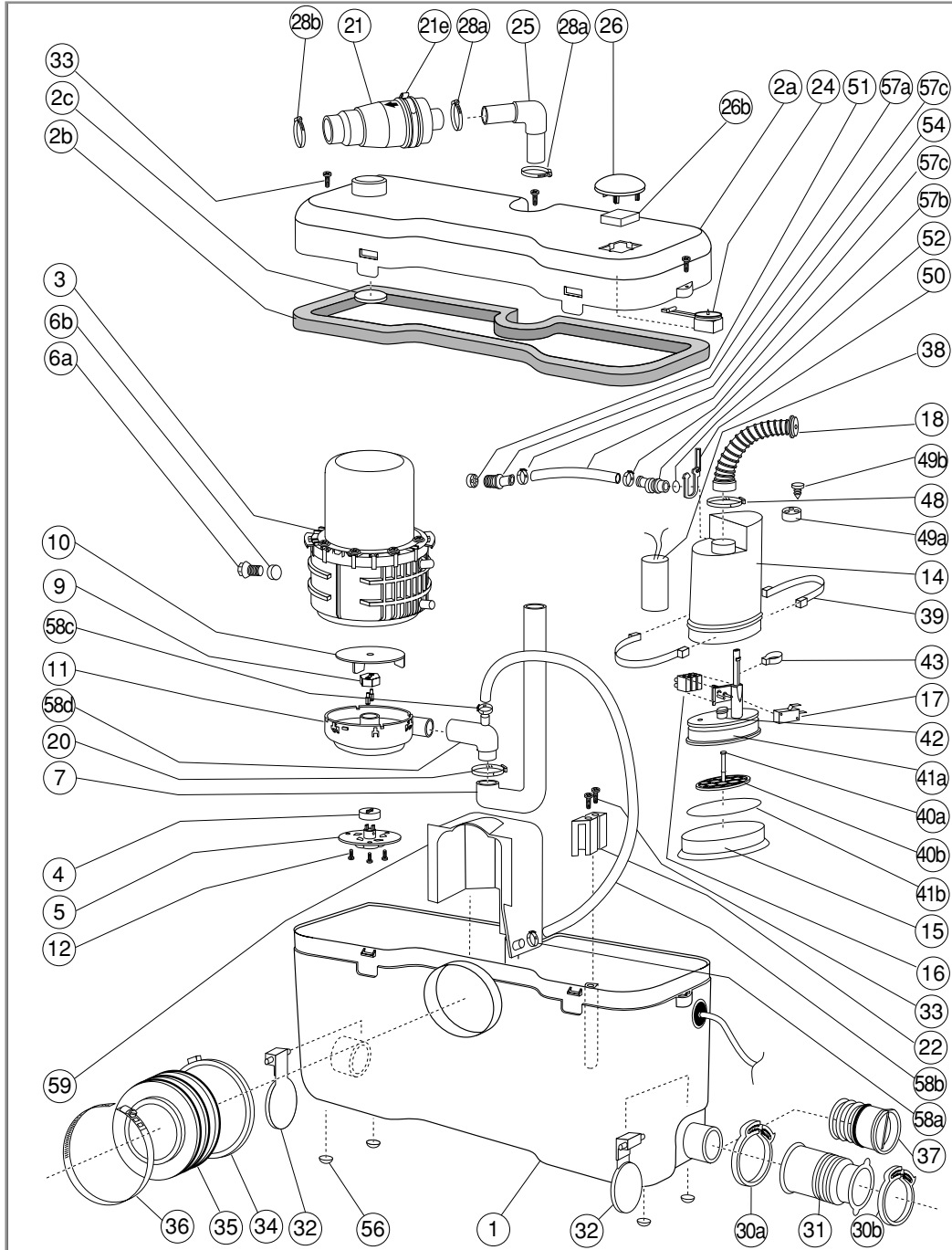


Do not reconnect the electrical power supply until the re-installation is complete.

14 GUARANTEE

SANIBEST® range is guaranteed for 2 years, subject to correct installation and usage.

SANIBEST® 2



FRANCE

**SOCIÉTÉ FRANÇAISE
D'ASSAINISSEMENT**

8, rue d'Aboukir
75002 Paris
Tél. 01 44 82 39 00
Fax 01 44 82 39 01

UNITED KINGDOM

SANIFLO Ltd.,
Howard House, The
Runway
South Ruislip (Middx.,)
HA4 6 SE
Tel. (0208) 842 0033
Fax (0208) 842 1671
Telex: 934 335 G SANFLO

ESPAÑA

GRUPO SFA
C/ Cuzco, 41
08030 Barcelona
Tel. (93) 381 85 97
Fax (93) 462 18 96

DEUTSCHLAND

SFA SANIBROY GmbH
Waldstr. 23 **Geb. B5**
63128 Dietzenbach
Tel. (060 74) 30928-0
Fax (060 74) 30928-90

ÖSTERREICH

SFA SANIBROY GmbH
Am Heumark 7/14
1030 Wien
Tel. 01 / 7 10 60 70
Fax 01 / 7 10 60 70

NEDERLAND

SFA BENELUX
Voltaweg 4
6101 XK Echt
Tel. (0475) 487 100
Fax (0475) 486 515

CANADA

SFA-SANIFLO INC.
1-685 Speedvale
Avenue West
Guelph ON - N1K 1E6
Tel. +1 519 824 1134
Fax +1 519 824 1143

SVERIGE

SANIFLO AB
BOX 86
S-133 22 Saltsjöbaden
Tel. 08-717 5680
Fax 08-717 8686

ITALIA

SFA SANITRIT spa
Via del Benessere
27010 Sizzano (PV)
Tel. 03 82 61 81
Fax 03 82 61 8200

РОССИЯ

SFA РОССИЯ
101000 Москва
ул. Электrozаводская, д.
2/8, ком. 103
Тел. 963 19 40
факс 963 19 40

IRELAND

SANIFLO Ltd
IDA Industrial Estate
Edenderry
County Offaly
Tel. + 35 3469733102
Fax + 35 3469733093

SERVICE HELPLINES

	TEL	FAX
France	N° Azur 0 810 05 90 02 1 UT par appel	03 44 94 46 19
United Kingdom	(08457) 650011 (CALL FROM A LANDLINE)	(0208) 8421671
Canada	+1 800 363 5874	+1 519 824 1143
Deutschland	0800 82 27 82 0	(060 74) 30928-90
Österreich	(01) 214 02 160	(01) 214 02 16 85
España	(93) 381 85 97	(93) 462 18 96
Nederland/België	(0) 475 487100	(0) 475 486 515
Belgique	32 (0) 67 44 29 59	32 (0) 67 44 44 75
Italia	(02) 988 0988	(02) 988 0335
Sverige	08-744 15 18	08-717 8686
Россия	(095) 963 19 40	(095) 963 19 40
Ireland	+ 35 3469733102	+ 35 3469733093